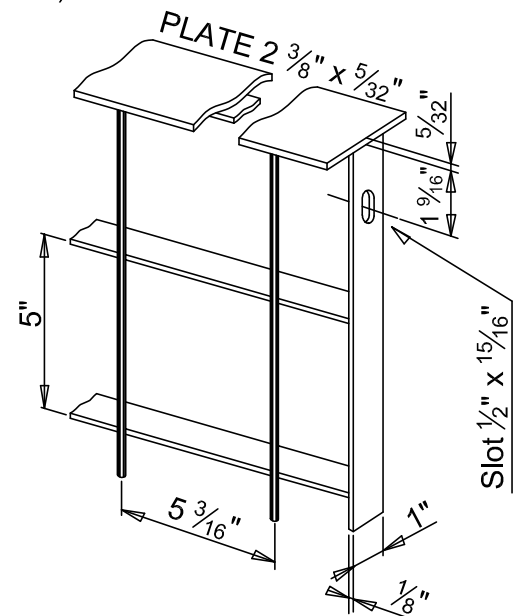
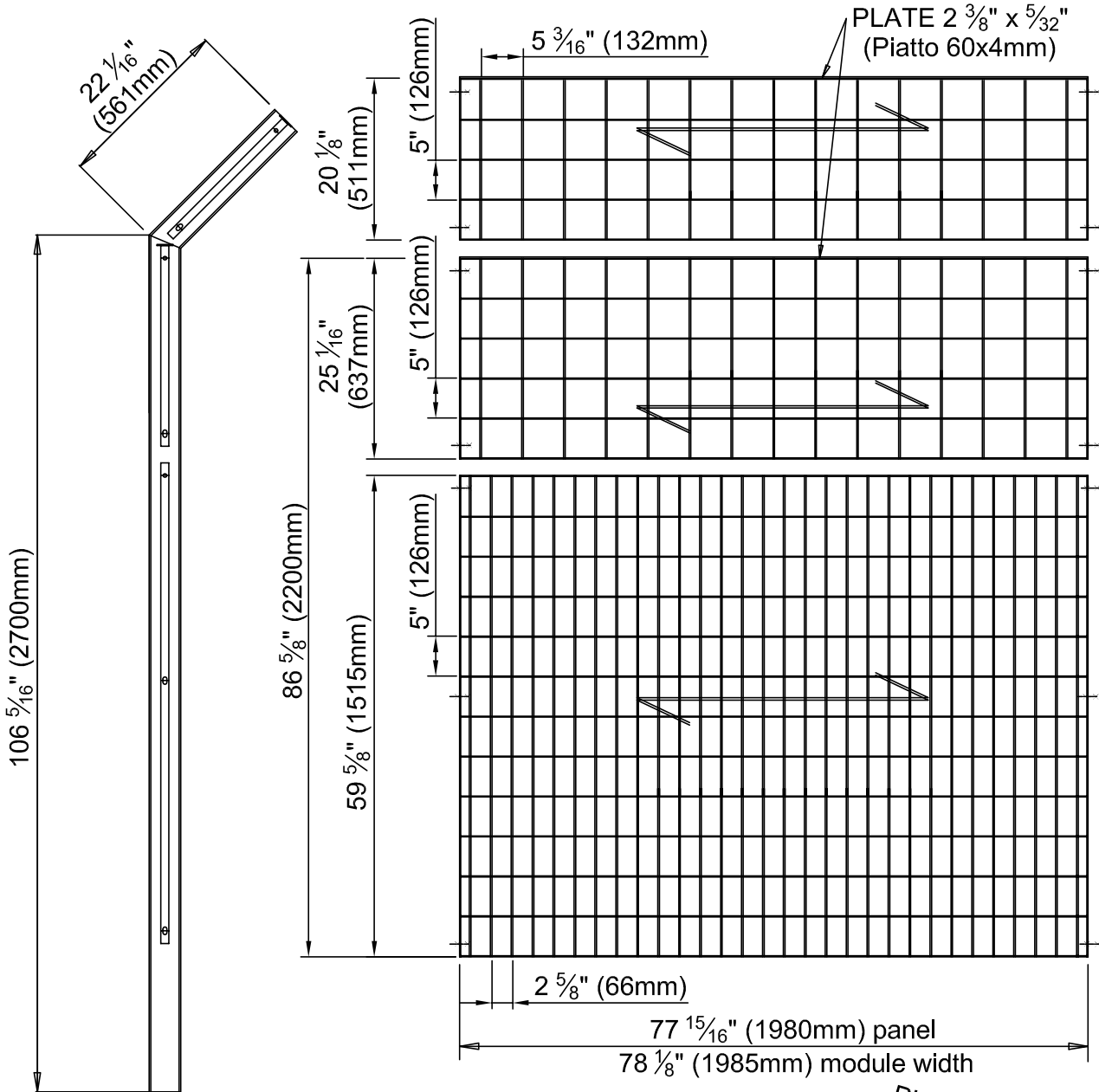


Athena 2



Panel height " (mm)	Post type	Post height " (mm)	Module Weight lb/ft ² (kg/m ²)
$86 \frac{5}{8}$ " + $20 \frac{1}{8}$ " (2200 + 511)	IPE 100	$106 \frac{5}{16}$ " + $22 \frac{1}{16}$ " (2700 + 561)	2,8 (13,7)

Material: (Fe360B UNI 7070) S235 JR EN 10025
 Surface treatment: hot dip galvanizing UNI EN ISO 1461