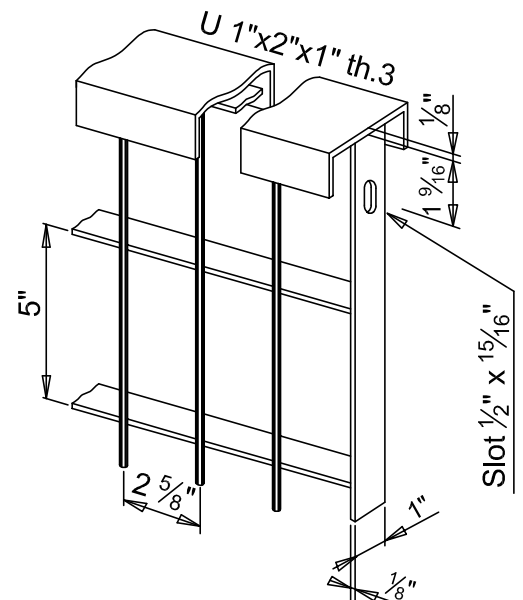
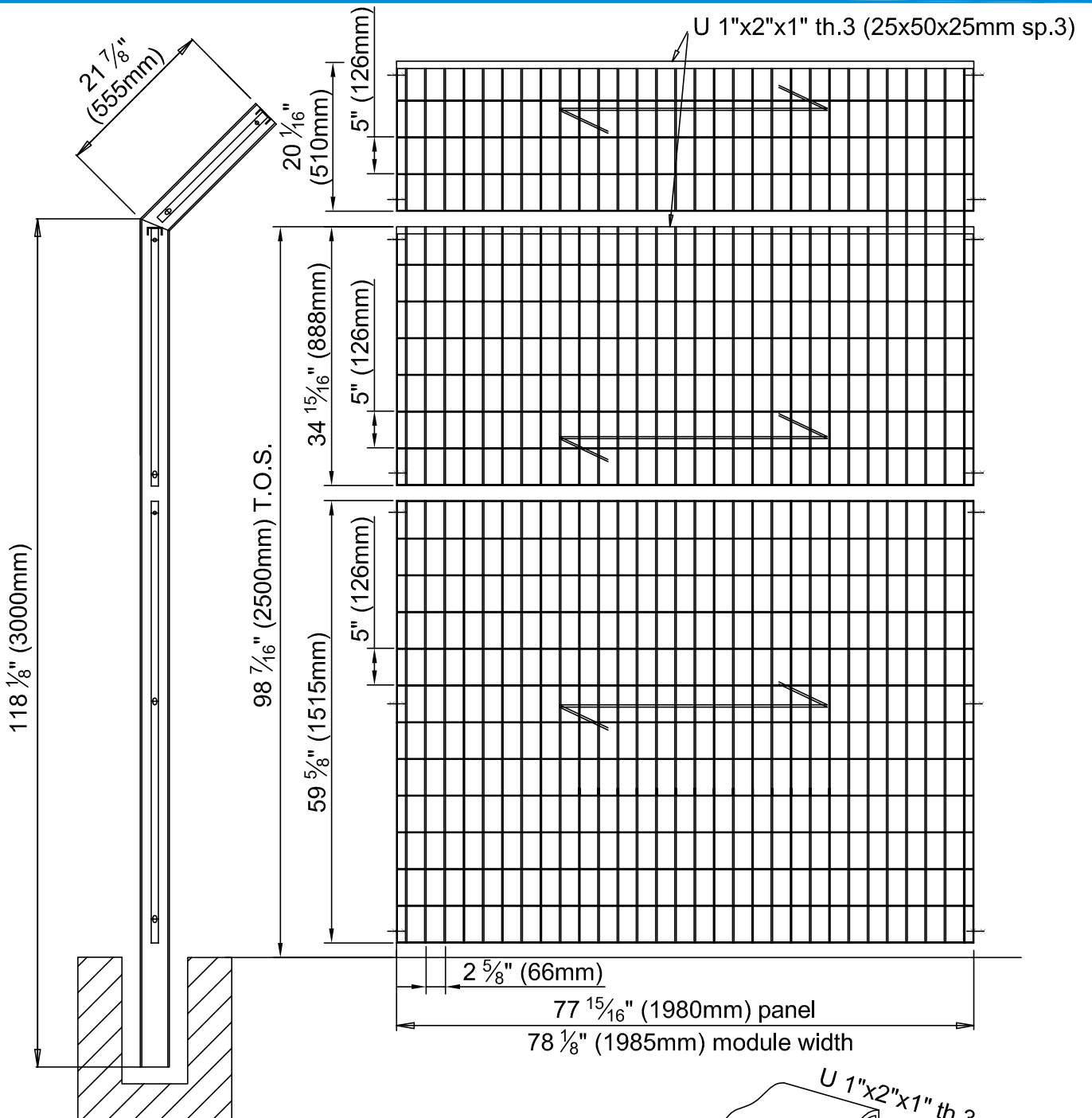


Athena EN



Panel height " (mm)	Post type	Post height " (mm)	Module Weight lb/ft ² (kg/m ²)
$98 \frac{7}{16}'' + 20 \frac{1}{16}''$ (2500 + 510)	IPE 100	$118 \frac{1}{8}'' + 21 \frac{7}{8}''$ (3000 + 555)	2,7 (13,8)

Material: (Fe360B UNI 7070) S235 JR EN 10025
 Surface treatment: hot dip galvanizing UNI EN ISO 1461