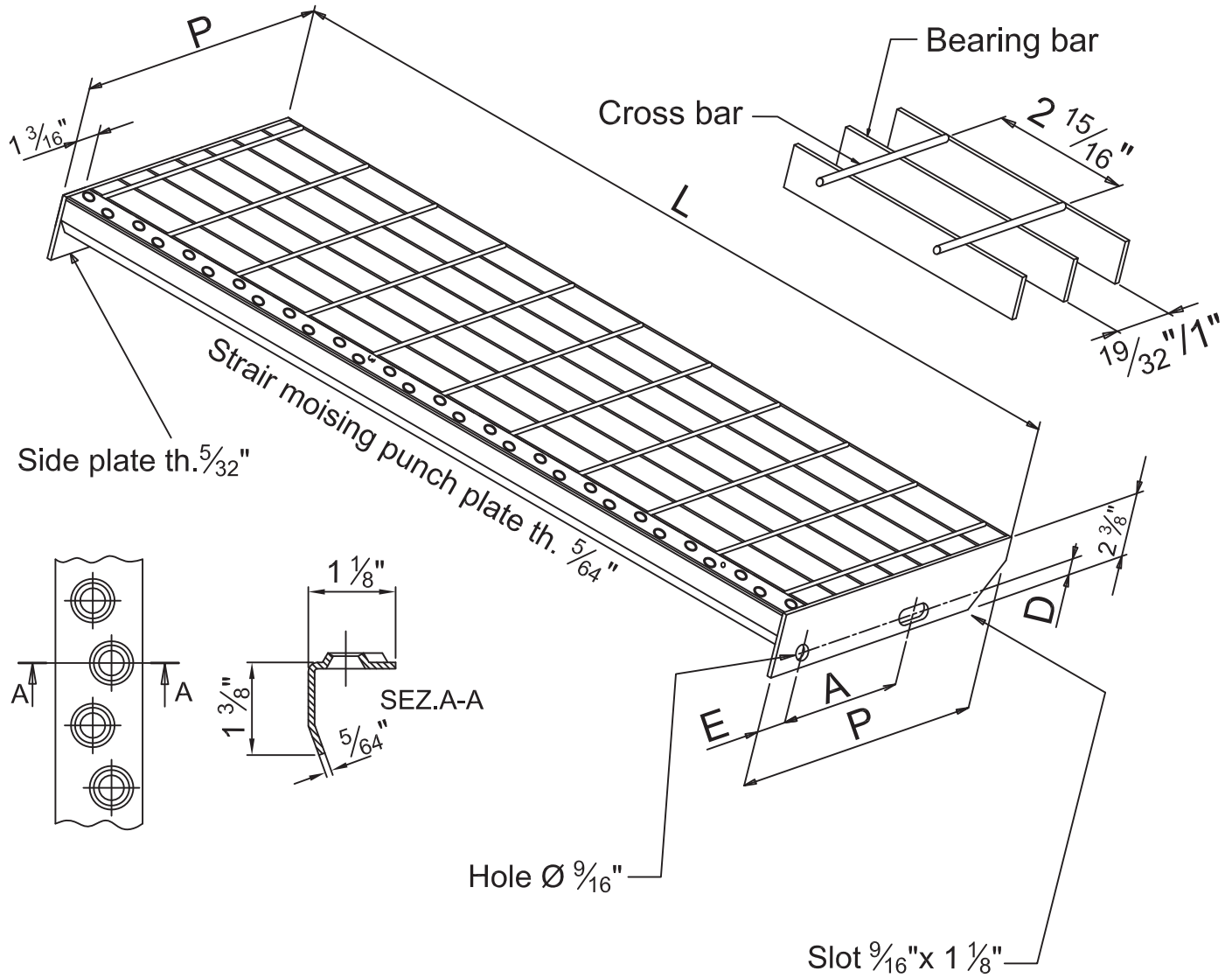


Grid step



Grating	P " (mm)	L " (mm)	E " (mm)	A " (mm)	D " (mm)	Weight lb/each (kg/cad)
1" x 5/64" / 19/32" x 2 15/16" (25x2/15x76)	12 5/8" (320)	47 1/4" (1200)	1 9/16" (40)	4 3/4" (120)	19/32" (15)	28,7 (13,0)