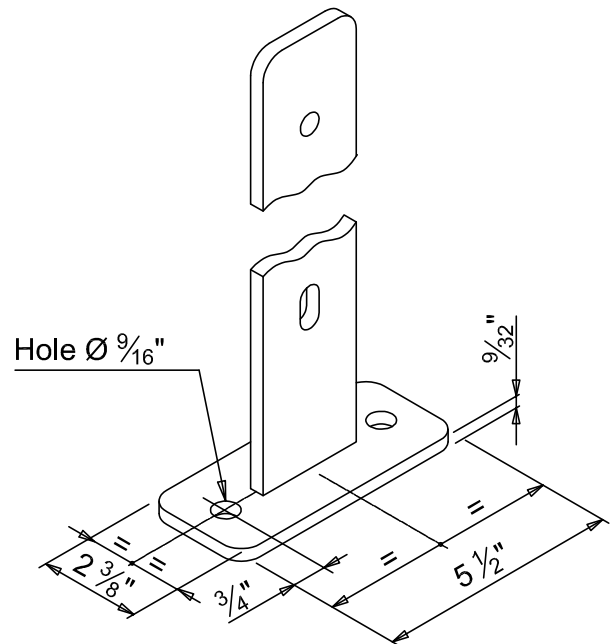
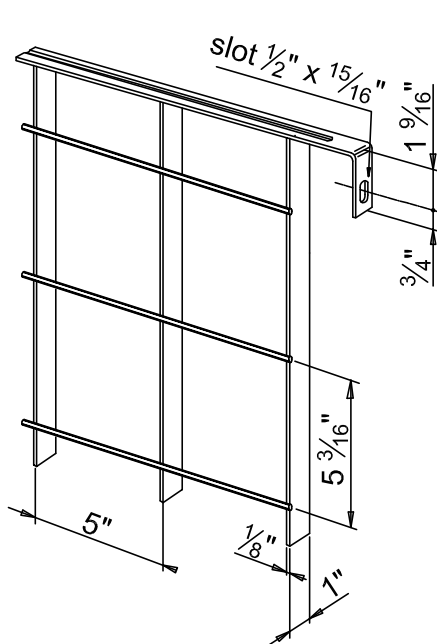
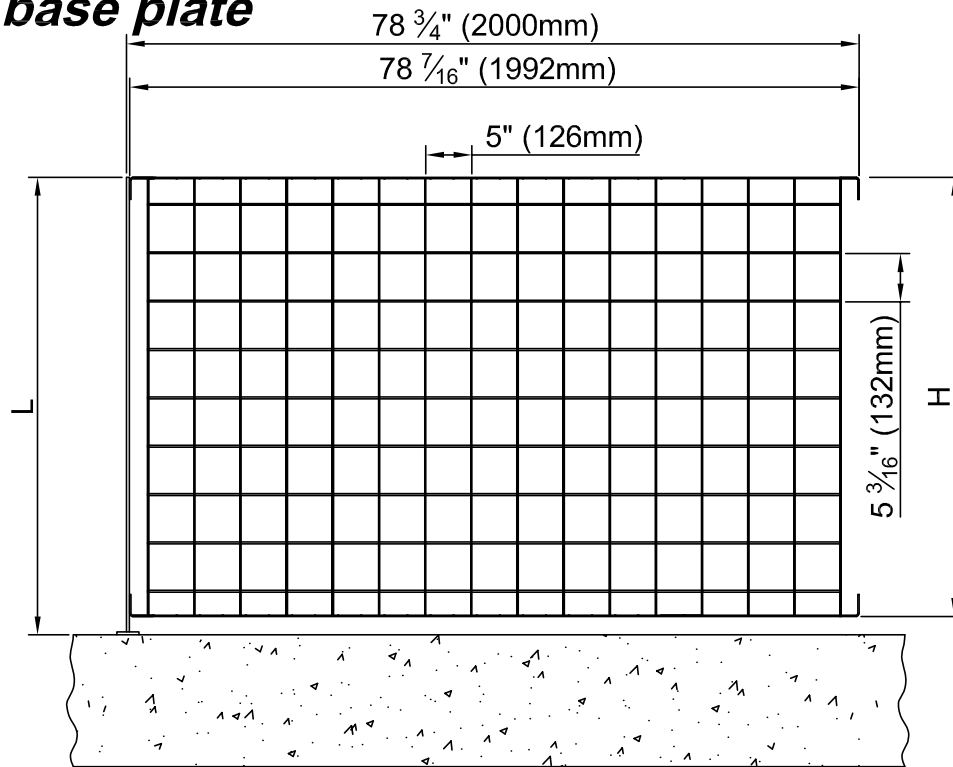
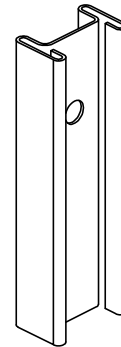
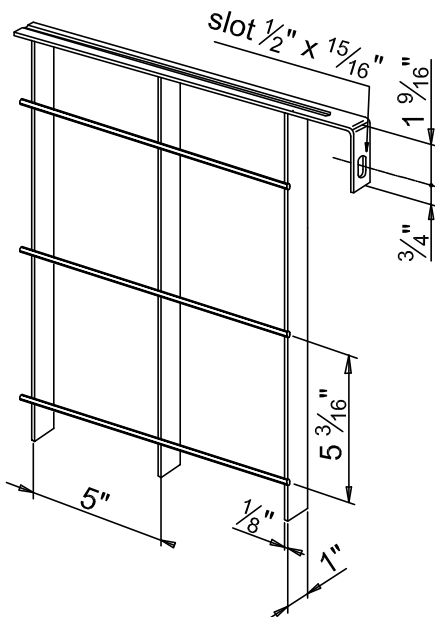
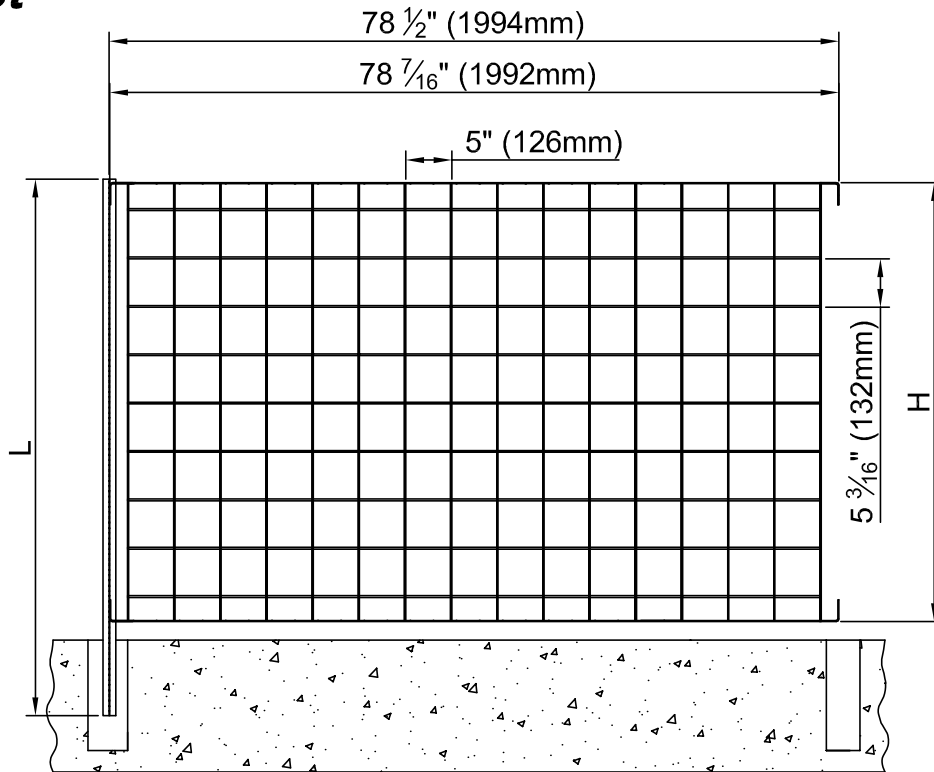


Panel height " (mm)	Post type " (mm)	Post height " (mm)	Module Weight lb/ft ² (kg/m ²)
36 5/8" (930)	2 3/8" x 9/32" (≠60x7)	47 1/4" (1200)	2,0 (9,8)
47" (1195)	2 3/8" x 9/32" (≠60x7)	57 11/16" (1465)	1,9 (9,3)
52" (1320)	2 3/8" x 9/32" (≠60x7)	65" (1650)	1,9 (9,3)
57 1/2" (1460)	2 3/8" x 9/32" (≠60x7)	70 1/2" (1790)	1,9 (9,1)
67 3/4" (1720)	2 3/8" x 9/32" (≠60x7)	82 1/16" (2085)	1,8 (8,9)
78 1/8" (1985)	2 3/8" x 9/32" (≠60x7)	92 1/2" (2350)	1,8 (8,7)

Post with base plate

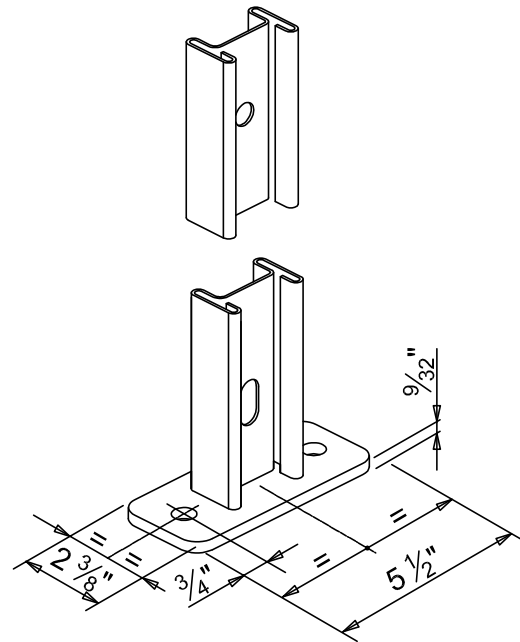
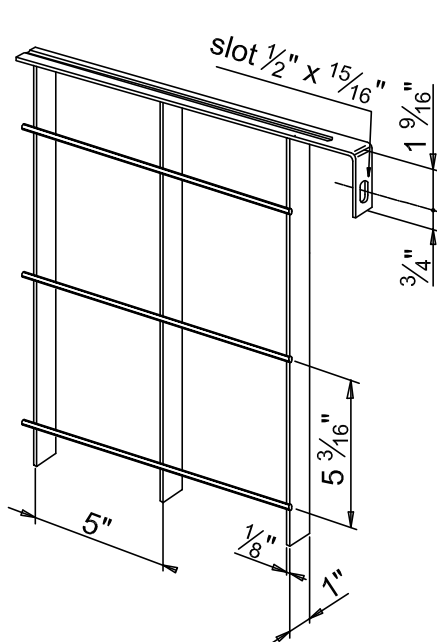
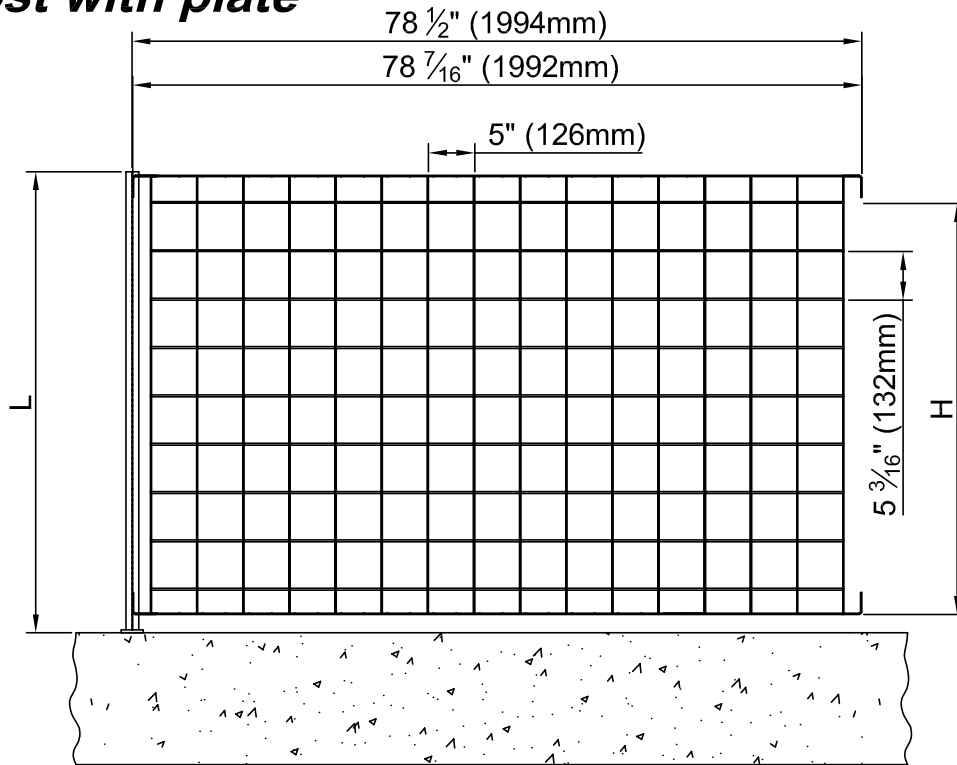


Panel height " (mm)	Post type " (mm)	Post height " (mm)	Module Weight lb/ft ² (kg/m ²)
36 5/8" (930)	2 3/8" x 9/32" (≠60x7)	38 15/16" (990)	2,0 (9,7)
47" (1195)	2 3/8" x 9/32" (≠60x7)	49 7/16" (1255)	1,9 (9,2)
52" (1320)	2 3/8" x 9/32" (≠60x7)	54 5/16" (1380)	1,9 (9,1)
57 1/2" (1460)	2 3/8" x 9/32" (≠60x7)	59 3/16" (1520)	1,8 (9,0)
67 3/4" (1720)	2 3/8" x 9/32" (≠60x7)	70 1/16" (1780)	1,8 (8,7)
78 1/8" (1985)	2 3/8" x 9/32" (≠60x7)	80 1/2" (2045)	1,8 (8,6)



Panel height " (mm)	Post type	Post height " (mm)	Module Weight lb/ft ² (kg/m ²)
36 5/8" (930)	STYLE	47 1/4" (1200)	1,9 (9,2)
47" (1195)	STYLE	57 11/16" (1465)	1,8 (8,7)
52" (1320)	STYLE	65" (1650)	1,8 (8,7)
57 1/2" (1460)	STYLE	70 1/2" (1790)	1,7 (8,5)
67 3/4" (1720)	STYLE	82 1/16" (2085)	1,7 (8,3)
78 1/8" (1985)	STYLE	92 1/2" (2350)	1,7 (8,2)

STYLE post with plate



Panel height " (mm)	Post type	Post height " (mm)	Module Weight lb/ft ² (kg/m ²)
36 5/8" (930)	STYLE	38 15/16" (990)	1,9 (9,2)
47" (1195)	STYLE	49 7/16" (1255)	1,8 (8,7)
52" (1320)	STYLE	54 5/16" (1380)	1,8 (8,6)
57 1/2" (1460)	STYLE	59 3/16" (1520)	1,7 (8,5)
67 3/4" (1720)	STYLE	70 1/16" (1780)	1,7 (8,2)
78 1/8" (1985)	STYLE	80 1/2" (2045)	1,7 (8,1)